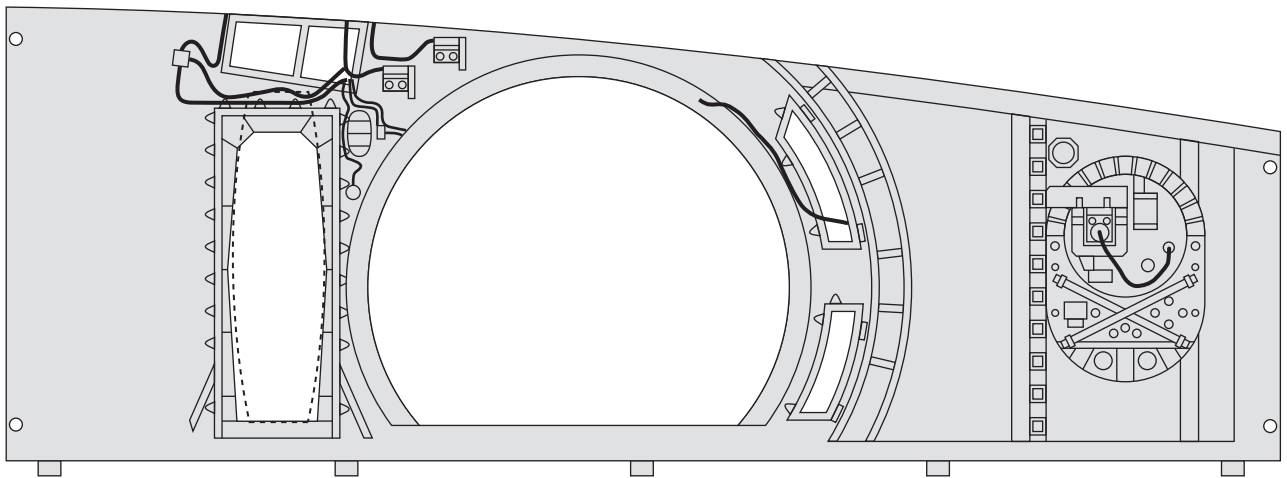
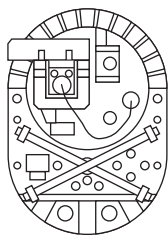


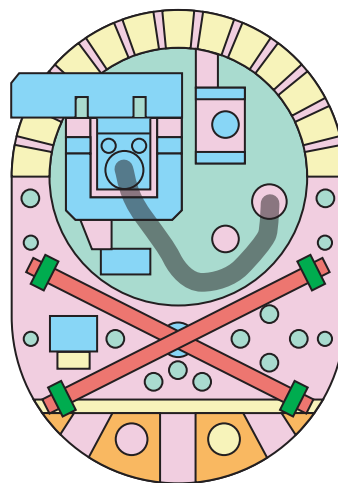
Falcon hold port wall provided by Deagostini



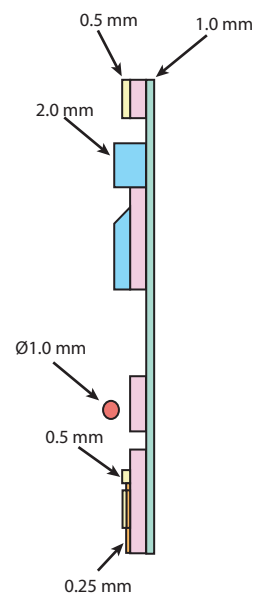
Customization Falcon hold portwall



Port wall main greebles



NOT TO SCALE!



PORT HOLD WALL TEMPLATE part 1

version 1.0 (2019)

by Laurent MAERTEN (blibul.com)

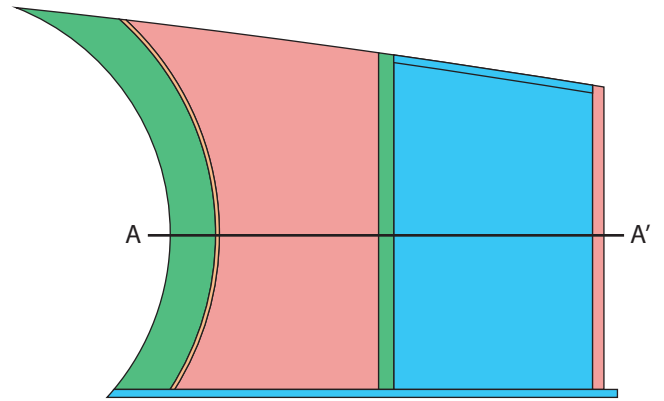
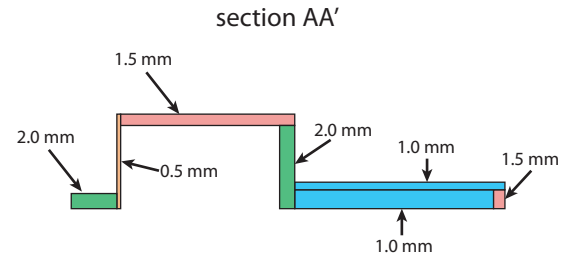
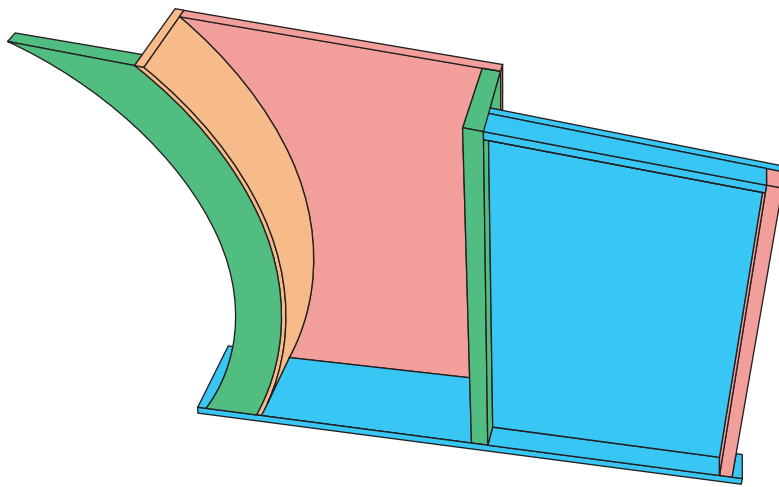
Customization of the cargo hold port wall

Disclaimer: This document is provided as is for general information purposes only. Your use of this document is at your own risk. You are the sole responsible for any damages, losses or causes of action of any nature arising from any use of this document.

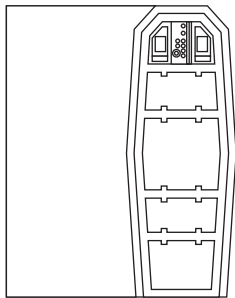
50 mm

**DeAgostini
Millennium Falcon
1/43 scale**

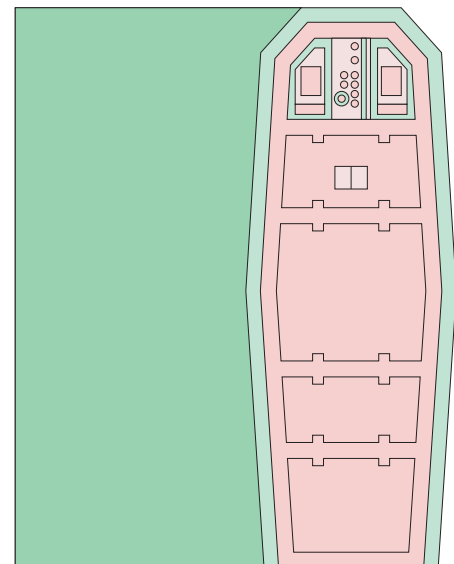
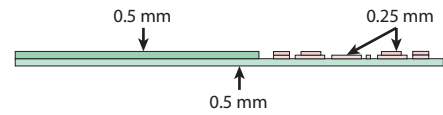
Page 1



Customization Falcon hold portwall: closet



Customization Falcon hold portwall: door



NOT TO SCALE!

PORT HOLD WALL TEMPLATE part 2

version 1.0 (2019)
by Laurent MAERTEN (blibul.com)

Customization of the cargo hold port wall

Disclaimer: This document is provided as is for general information purposes only. Your use of this document is at your own risk. You are the sole responsible for any damages, losses or causes of action of any nature arising from any use of this document.

50 mm

**DeAgostini
Millennium Falcon
1/43 scale**